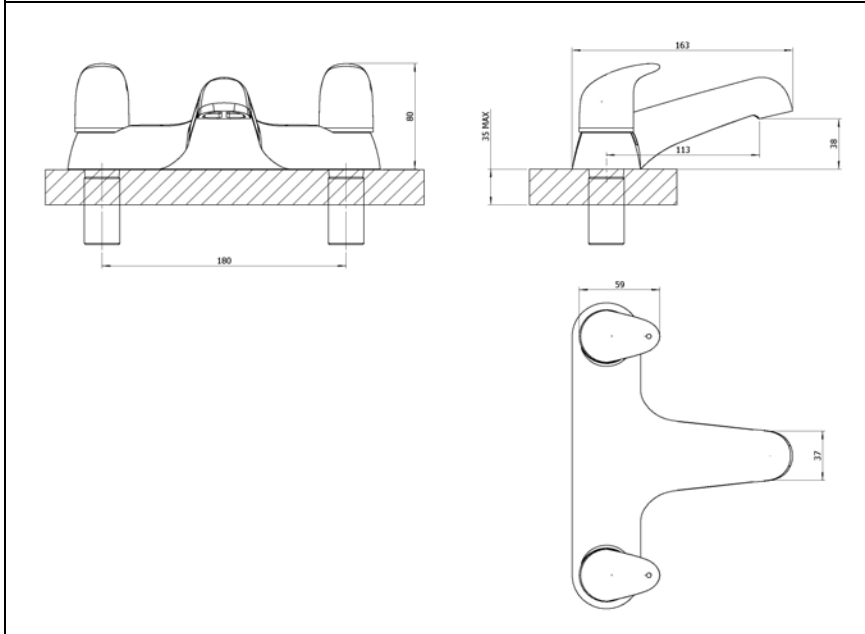




HAZE

922073 – BATH FILLER

COMAP



Specification

Finish	Chrome
Body	Brass
Fittings	Metal backnut & washer
Connection	3/4" BSP threaded tail
Min dynamic pressure	0.1
Max dynamic pressure	6
Max static pressure	25
Max water temperature	85°C

Flow rates

Pressure	0.1	0.5	1	3
L/min	13.1	46	67.6	120

All Pressures are in Bar.
 Dimensions supplied are nominal and subject to tolerance.
 Inclusion of aerator (if supplied) or restrictors (sold separately unless stated) will affect flow rate result.
 Performance details are based on trials under test conditions and for guidance only.
 The Company reserves the right to change product specification without prior notice.

Features & Benefits

 10 YEAR Guarantee	 L Low Pressure	 Inlet Tail	 Dual Flow

Certifications

 26.6 l/min	
Tested at 0.2 bar	